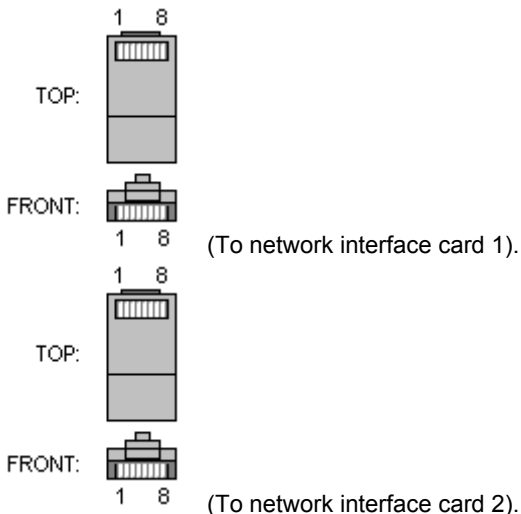


Ethernet 10/100Base-T Crossover Cable

This cable can be used to cascade hubs, or for connecting two Ethernet stations back-to-back without a hub. It works with both 10Base-T and 100Base-TX.



RJ45 MALE CONNECTOR to network interface card 1.

RJ45 MALE CONNECTOR to network interface card 2.

Name	NIC1	NIC2	Name
TX+	1	3	RX+
TX-	2	6	RX-
RX+	3	1	TX+
RX-	6	2	TX-

Note 1: It's important that each pair is kept as a pair. TX+ & TX- must be in the pair, and RX+ & RX- must together in another pair. (Just as the table above shows).

Note 2: You could also connect 4-4, 5-5, 7-7, 8-8.